

MATERIALS AND FINISHES:

CONTACT BeCu
PLATED GOLD

INSULATOR TEFLON

PART NO: 73366-0060/73366-0062/73366-0063/73366-0064

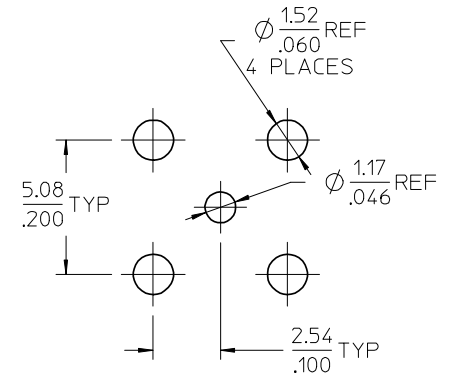
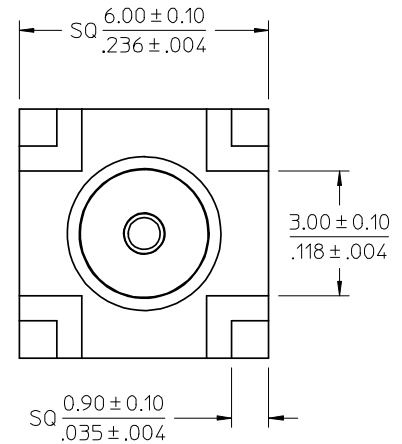
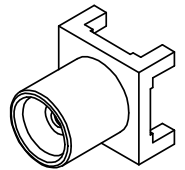
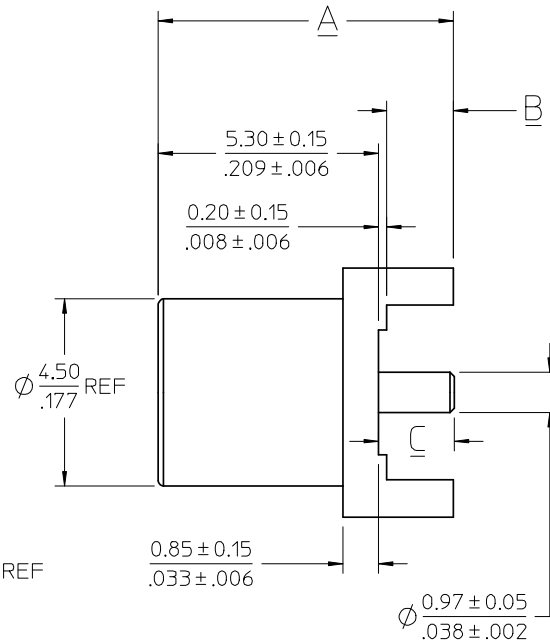
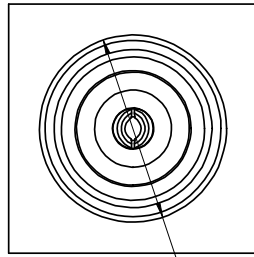
BODY BRASS
PLATED NICKEL

PART NO: 73366-0061/73366-0065/73366-0066

BODY BRASS
PLATED GOLD

PART NO 73366-0062/73366-0064/7336-0066

PACKAGING WITH TAPE & REEL
SEE SHEETS 2 & 3 FOR PACKAGING
INSTRUCTIONS



SUGGESTED PCB LAYOUT

73366-0068	.280±.006	7.10±0.15	.062±.006	1.57±0.15	.073±.006	1.86±0.15	73366-0060,SMALL TRAY
73366-0067	.280±.006	7.10±0.15	.062±.006	1.57±0.15	.073±.006	1.86±0.15	73366-0060,ONE PER BAG
73366-0066	.236±.006	5.99±0.15	.019±.006	0.5±0.15	.031±.006	0.8±0.15	TAPE & REEL
73366-0065	.236±.006	5.99±0.15	.019±.006	0.5±0.15	.031±.006	0.8±0.15	BY BAG
73366-0064	.236±.006	5.99±0.15	.019±.006	0.5±0.15	.031±.006	0.8±0.15	TAPE & REEL
73366-0063	.236±.006	5.99±0.15	.019±.006	0.5±0.15	.031±.006	0.8±0.15	BY BAG
73366-0062	.280±.006	7.10±0.15	.062±.006	1.57±0.15	.073±.006	1.86±0.15	TAPE & REEL
73366-0061	.280±.006	7.10±0.15	.062±.006	1.57±0.15	.073±.006	1.86±0.15	BY BAG
73366-0060	.280±.006	7.10±0.15	.062±.006	1.57±0.15	.073±.006	1.86±0.15	BY BAG

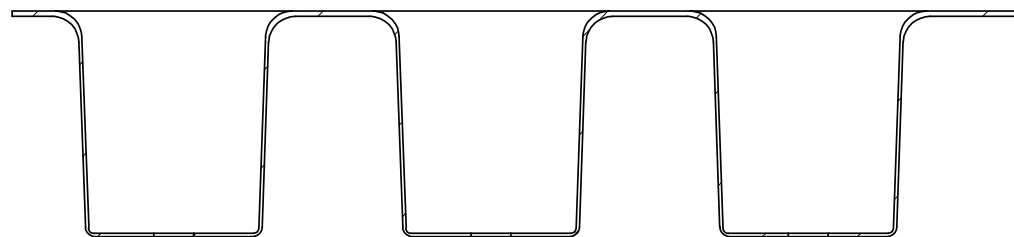
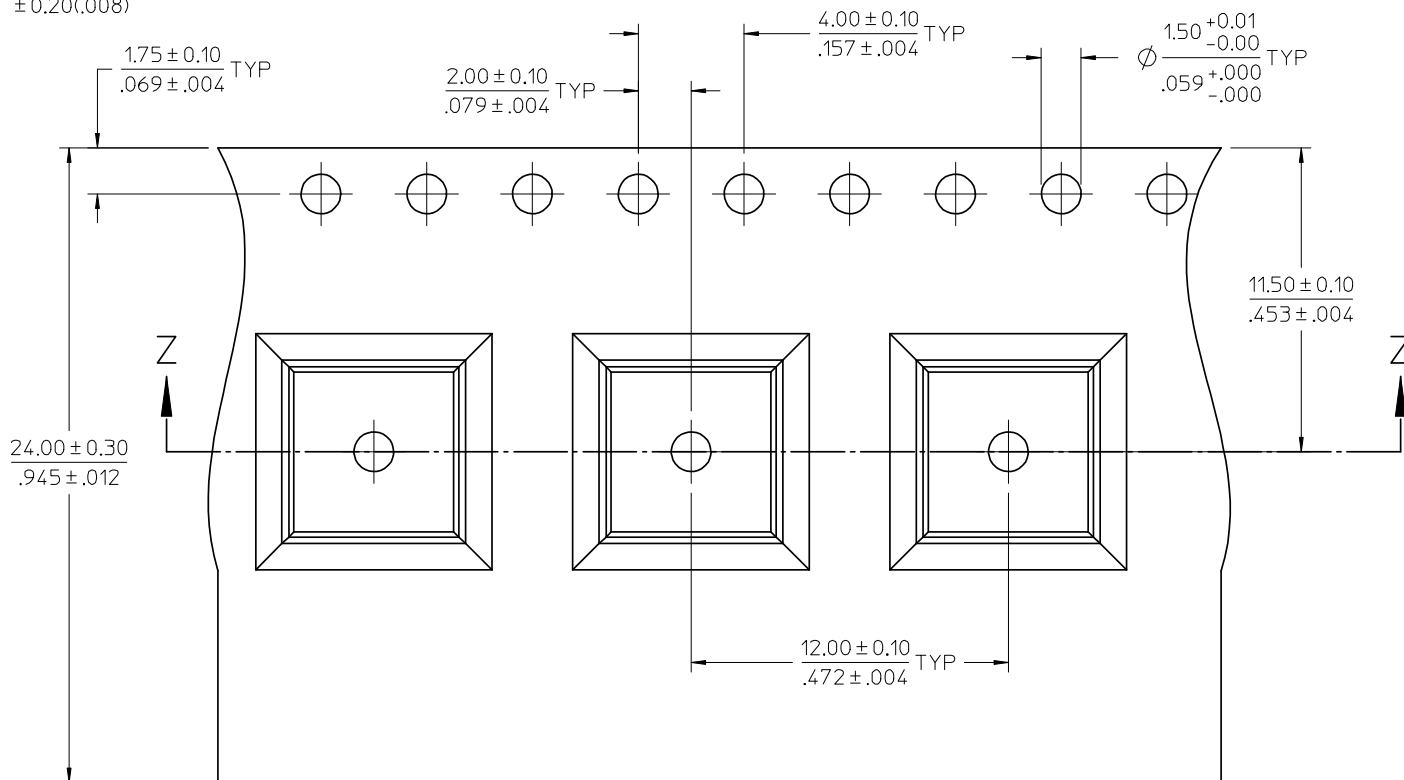
	IN	MM	IN	MM	IN	MM	PACKAGE
PART NO.	A		B		C		

PS-73598-0132	ELECTRO/MECH PERFORM.
SPECIFICATION	DESCRIPTION

CHG: ADDED PCB LAYOUT EC NO: URF2009-0031 DRWN: IWENER 2008/07/18 CHKD: SHAH 2008/07/18 APPR: IWENER 2008/07/18	QUALITY SYMBOLS	GENERAL TOLERANCES (UNLESS SPECIFIED)	DIMENSION STYLE	SCALE	DESIGN UNITS	THIRD ANGLE PROJECTION	
	$\nabla=0$ $\nabla=0$	mm INCH 4 PLACES ± --- ± --- 3 PLACES ± --- ± --- 2 PLACES ± --- ± --- 1 PLACE ± --- ± --- ANGULAR ± 2 °	MM/IN	DRAWN BY DATE LYNN 2001/04/03 CHECKED BY DATE JOHNSON 2001/04/03 APPROVED BY DATE MISEN 2001/04/03	TITLE	METRIC	MOCX JACK, PCB 50 OHMS, EWR-3263 MCX-J/PCB
		DRAFT WHERE APPLICABLE MUST REMAIN WITHIN DIMENSIONS	SEE TABLE	MATERIAL NO.	DOCUMENT NO.		MOLEX INCORPORATED SD-73366-006 SHEET NO. 1 OF 3
	REV B7			SIZE C	THIS DRAWING CONTAINS INFORMATION THAT IS PROPRIETARY TO MOLEX INCORPORATED AND SHOULD NOT BE USED WITHOUT WRITTEN PERMISSION		

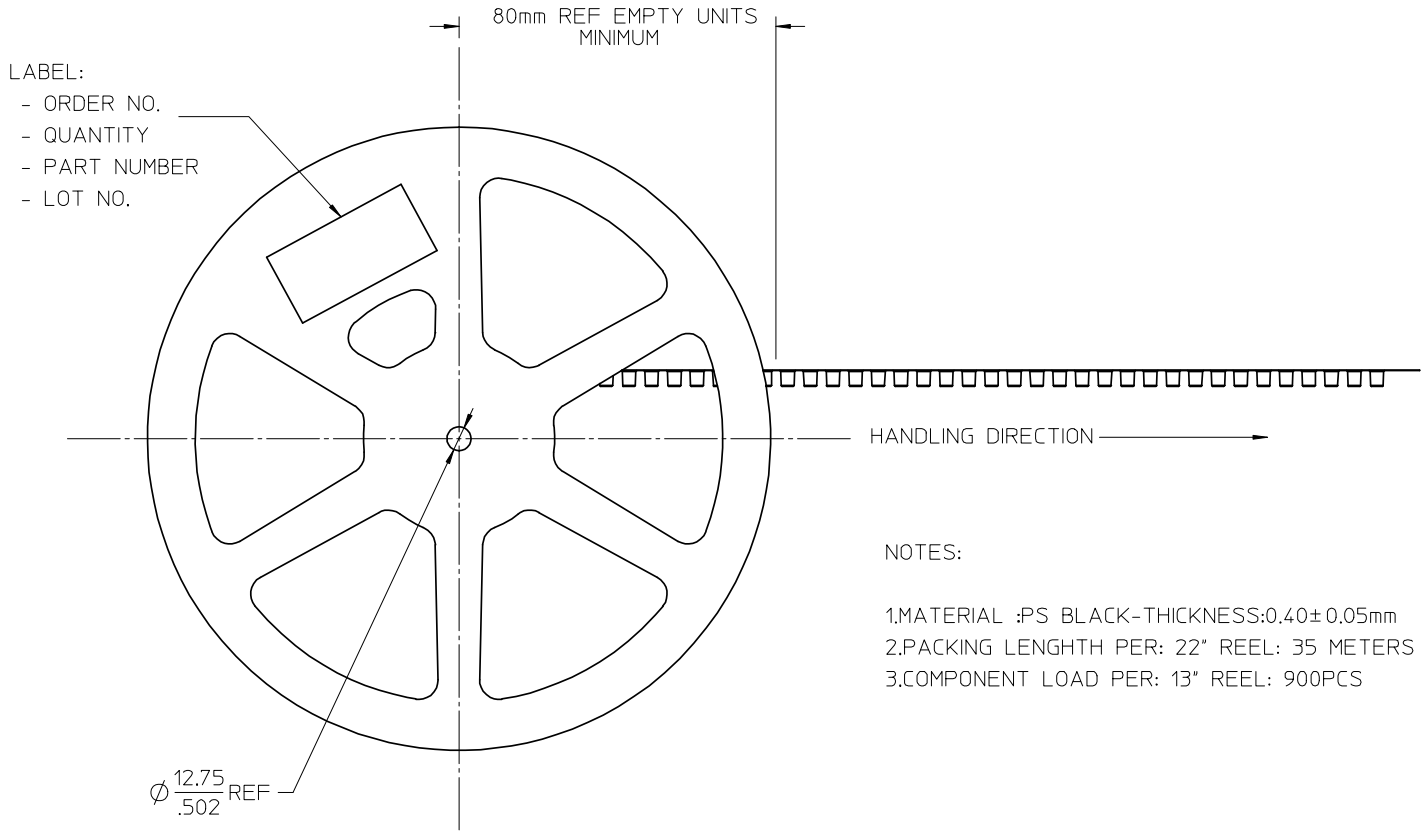
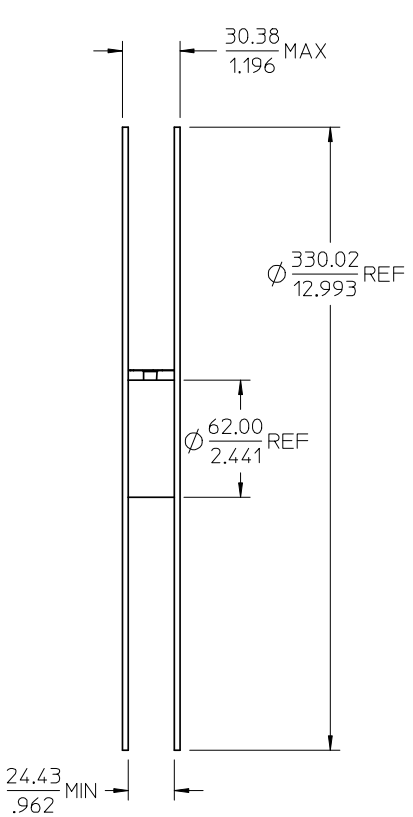
NOTE:

1. 10 PITCHES CUMULATIVE TOLERANCE $\pm 0.20(.008)$



SECTION Z-Z

CHG: SEE SHEET 1 EC NO: URF2009-0031 DRWN: WIENER 2008/07/18 CHKD: SSHAH 2008/07/18 APPR: WIENER 2008/07/18	QUALITY SYMBOLS $\blacktriangledown=0$ $\blacktriangledown=0$	GENERAL TOLERANCES (UNLESS SPECIFIED) <table border="1"> <thead> <tr> <th></th> <th>mm</th> <th>INCH</th> </tr> </thead> <tbody> <tr> <td>4 PLACES</td> <td>\pm ---</td> <td>\pm ---</td> </tr> <tr> <td>3 PLACES</td> <td>\pm ---</td> <td>\pm ---</td> </tr> <tr> <td>2 PLACES</td> <td>\pm ---</td> <td>\pm ---</td> </tr> <tr> <td>1 PLACE</td> <td>\pm ---</td> <td>\pm ---</td> </tr> </tbody> </table>		mm	INCH	4 PLACES	\pm ---	\pm ---	3 PLACES	\pm ---	\pm ---	2 PLACES	\pm ---	\pm ---	1 PLACE	\pm ---	\pm ---	DIMENSION STYLE MM/IN	SCALE METRIC	DESIGN UNITS METRIC	THIRD ANGLE PROJECTION
		mm	INCH																		
	4 PLACES	\pm ---	\pm ---																		
	3 PLACES	\pm ---	\pm ---																		
2 PLACES	\pm ---	\pm ---																			
1 PLACE	\pm ---	\pm ---																			
MATERIAL NO. SEE SHEET 1	DRAWN BY LYNN	DATE 2001/04/03	TITLE MCX JACK, PCB 50 OHMS, EWR-3263 MCX-J/PCB	MOLEX INCORPORATED	SHEET NO. 2 OF 3																
DRAFT WHERE APPLICABLE MUST REMAIN WITHIN DIMENSIONS	APPROVED BY MISEN	DATE 2001/04/03	DOCUMENT NO. SD-73366-006	THIS DRAWING CONTAINS INFORMATION THAT IS PROPRIETARY TO MOLEX INCORPORATED AND SHOULD NOT BE USED WITHOUT WRITTEN PERMISSION																	
REV B7																					



LABEL:
 - ORDER NO.
 - QUANTITY
 - PART NUMBER
 - LOT NO.

NOTES:

- 1.MATERIAL :PS BLACK-THICKNESS:0.40±0.05mm
- 2.PACKING LENGTH PER: 22" REEL: 35 METERS
- 3.COMPONENT LOAD PER: 13" REEL: 900PCS

CHG: SEE SHEET 1
 EC NO: URF2009-0031
 DRWN:JWIENER 2008/07/18
 CHKD:SSHAH 2008/07/18
 APPR:JWIENER 2008/07/18

REV	DESCRIPTION
B7	

QUALITY SYMBOLS		
▽=0		
▽=0		
GENERAL TOLERANCES (UNLESS SPECIFIED)		
	mm	INCH
4 PLACES	± .005	± .0002
3 PLACES	± .005	± .0002
2 PLACES	± .005	± .0002
1 PLACE	± .005	± .0002
ANGULAR ± 2 °		
DRAFT WHERE APPLICABLE MUST REMAIN WITHIN DIMENSIONS		

DIMENSION STYLE	
MM/IN	
DRAWN BY	DATE
LYNN	2001/04/03
CHECKED BY	DATE
JOHNSON	2001/04/03
APPROVED BY	DATE
MISEN	2001/04/03
MATERIAL NO.	
SEE SHEET 1	
SIZE	
C	

SCALE	DESIGN UNITS	THIRD ANGLE PROJECTION
	METRIC	
TITLE		
MCX JACK, PCB		
50 OHMS, EWR-3263		
MCX-J/PCB		
MOLEX INCORPORATED		
DOCUMENT NO.	SHEET NO.	
SD-73366-006	3 OF 3	
THIS DRAWING CONTAINS INFORMATION THAT IS PROPRIETARY TO MOLEX INCORPORATED AND SHOULD NOT BE USED WITHOUT WRITTEN PERMISSION		